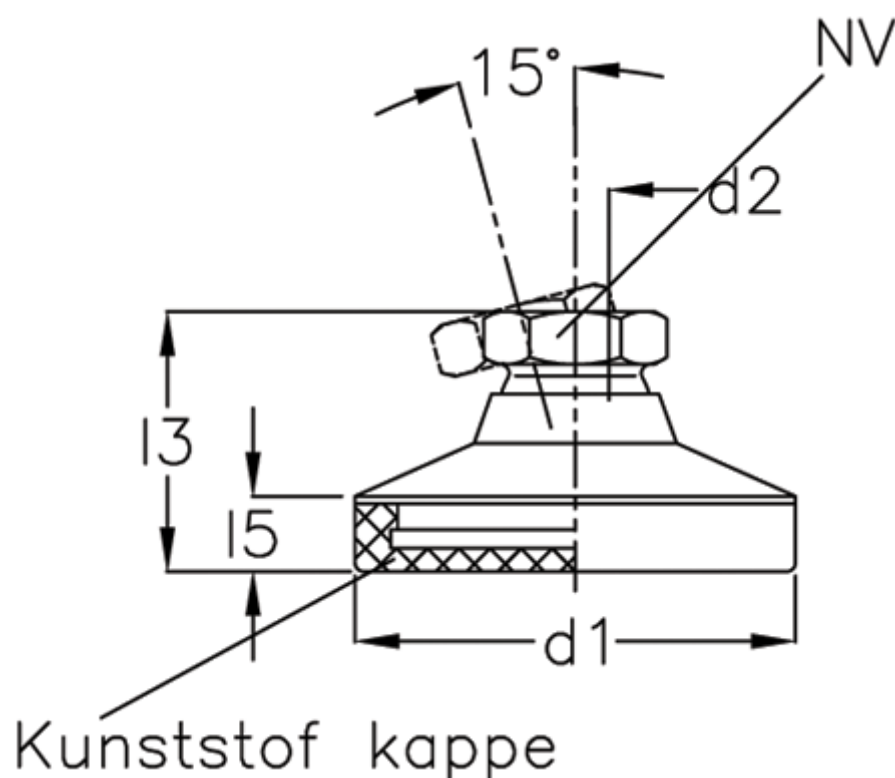


Article number: 20343550M12KR  
Description: E+G levelling foot  
GN 343.5-50-M12-KR

## Measures



$d_1$	= 50
$d_2$	= 12
$l_3$	= 29.5
$l_5$	= 8.5
$NV$	= 17
Static load (N)	= 30
t min	= 11.5